

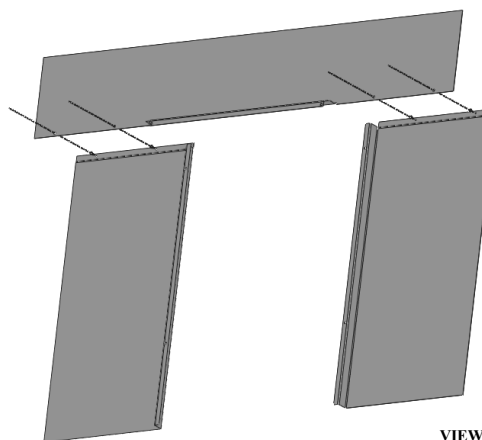
# #J1021BR - J1000 3-PIECE SHROUD INSTALLATION INSTRUCTIONS



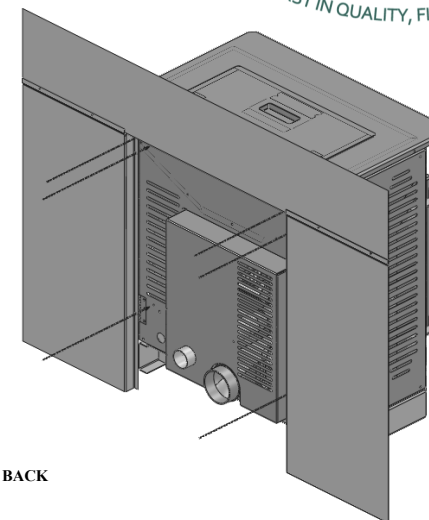
## Parts List

- |                      |   |
|----------------------|---|
| 1 - Shroud Top       | 6 - Hex Head Sheet Metal Screws         |
| 1 - Shroud Left Leg  | 4 - Pan Head Screws                     |
| 1 - Shroud Right Leg | 1 - "Attention Fireplace Altered" Label |

1. Lay leg sections 'face' up on a protected surface, making sure flat edges of legs face outward.
2. Align holes in shroud top section to holes in leg sections. Secure with (4) pan head screws through front side of shroud.
3. Align mounting holes in assembled shroud with holes on back panel of stove. Secure with (6) sheet metal screws through back side of shroud.
4. Attach "Fireplace Altered" label to inside of fireplace hearth where it will be visible if stove is ever removed.
5. Set stove into position.



VIEW FROM BACK



J1000 SHROUD INSTR. 08-09 REV2

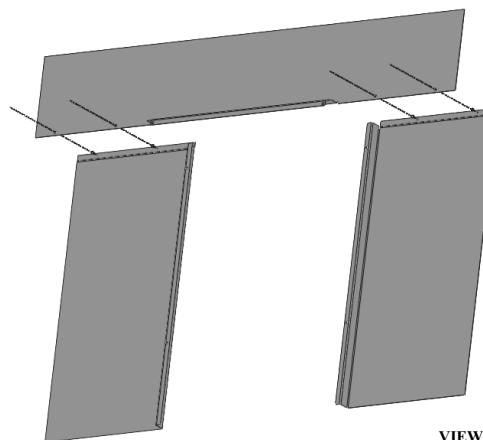
# #J1021BR - J1000 3-PIECE SHROUD INSTALLATION INSTRUCTIONS



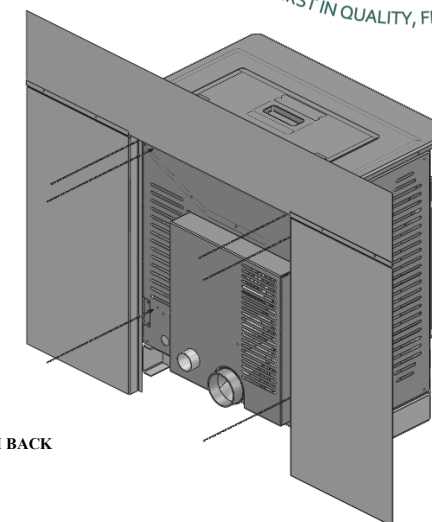
## Parts List

- |                      |   |
|----------------------|---|
| 1 - Shroud Top       | 6 - Hex Head Sheet Metal Screws         |
| 1 - Shroud Left Leg  | 4 - Pan Head Screws                     |
| 1 - Shroud Right Leg | 1 - "Attention Fireplace Altered" Label |

1. Lay leg sections 'face' up on a protected surface, making sure flat edges of legs face outward.
2. Align holes in shroud top section to holes in leg sections. Secure with (4) pan head screws through front side of shroud.
3. Align mounting holes in assembled shroud with holes on back panel of stove. Secure with (6) sheet metal screws through back side of shroud.
4. Attach "Fireplace Altered" label to inside of fireplace hearth where it will be visible if stove is ever removed.
5. Set stove into position.



VIEW FROM BACK



J1000 SHROUD INSTR. 08-09 REV2