
INSTALLATION INSTRUCTIONS

PARTS LIST

1. One Exhaust Blower Motor 1997 version

TOOLS & MATERIALS REQUIRED

1. Phillips Screwdriver
2. 5/16" Hex Driver
3. Flat Screw Driver
4. RTV Red Silicone

1. Disconnect all electrical power to the stove.
2. Locate the two Phillips head screws that hold the left side panel closed. Remove these two screws and open the left side panel.
3. Disconnect the vent pipe system from the 3" exhaust stub that is part of the exhaust blower. [The 3" exhaust stub protrudes out from the back panel].
4. Once the exhaust system is disconnected from the stove, move the stove forward 6 inches.
5. Locate the Rear Access Cover Plate. See figure 2. Remove the 5/16" hex head screws holding this plate to the back panel
6. Break the red silicone seal between the Rear Access Cover Plate and the 3" exhaust stub and the 1-5/8" air intake pipe. Slide the Rear Access Cover Plate off these two stubs.
7. Locate the Exhaust Blower Mount Box and the Exhaust Fan Impeller Access Plate. See Figure 1.
8. Remove the six 5/16" hex head screws holding the Impeller Access Plate in place.
9. Remove the Impeller Access Plate. If this plate is difficult to remove, insert a flat head screw driver between the plate and the Exhaust Blower Mount Box and pry loose.
10. Look inside the Exhaust Blower Mount Box. Depending on the date your stove was manufactured, you will see either of two things: 1) You may see a 4 inch hole with the exhaust blower impeller inside or 2) You may see a Hexagonal plate with a 3 inch hole in the center [this is the Turbo Plate].
11. If you see a Hexagonal Plate with a 3 inch hole in the center, remove this hexagonal plate by first removing the four hex head screws holding it in place. Save this plate and the screws as you will need to reinstall it later.
12. Locate the three screws that hold the Exhaust Blower to the Exhaust Blower Mount Box. See Figure 3. These screws are labeled as [1]. Depending on the date of manufacture of your stove, these screws may have Phillips heads or Hex heads.
13. Using the appropriate tool, loosen these three screws. Note that these are machined screws and are coupled with nuts with washers on the inside of the hole. Hold the nuts with your finger tips and remove the screws.
14. Once all three of these screws are removed, the exhaust blower is free. Carefully maneuver the exhaust blower out through the opening in the back panel.
15. Check the replacement exhaust blower. A fiberglass gasket strip must be present around the perimeter of the impeller access hole. If this fiberglass gasket is missing, do not proceed with the installation. Contact the local Jamestown dealer, obtain some fiberglass gasket, place it around the perimeter of the impeller access hole in the exhaust blower and proceed with the rest of this installation.
16. Slide the replacement exhaust blower into the stove and position it in the same location as the blower you removed.
17. Align the three screw holes in the Exhaust Blower Mount Box with the three mounting holes in the replacement exhaust blower.
18. Attach the blower to the Blower Mount Box using one machined screw and nut with star washer in each of the aligned hole pairs.

19. Tighten these screws using a Phillips screw driver or a Hex driver (depending on the type of screw you are using).
20. Replace the Hexagonal plate with a 3" hole (Turbo Plate) if you removed it earlier in step 11.
21. Replace the Impeller Access Cover Plate that you removed in step 9.
22. Replace the Rear Access Cover Plate that you removed in step 6.
23. Close the left side panel.
24. Move stove back 6" to its original position.
25. Reconnect the exhaust pipe system to the 3" exhaust stub. CAUTION: The joint between the exhaust pipe and the 3" exhaust stub must be air tight. Use a liberal amount of RTV red silicone.

FIGURE 1
LEFT SIDE CUT-OFF VIEW
OF THE J2000/2001 PELLETT STOVE

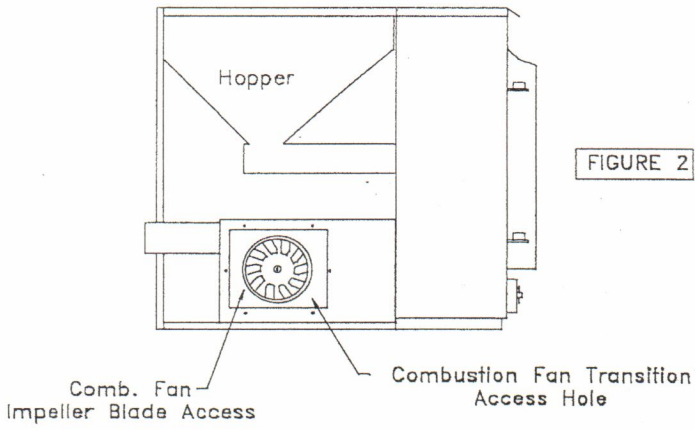
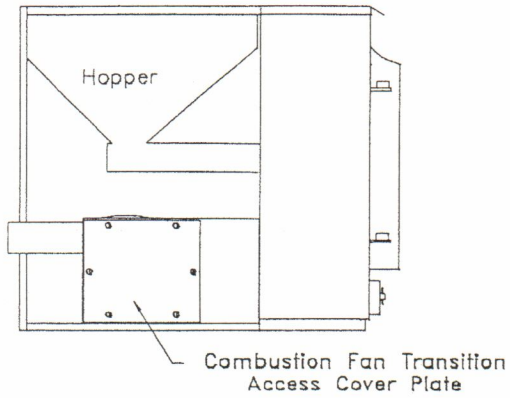
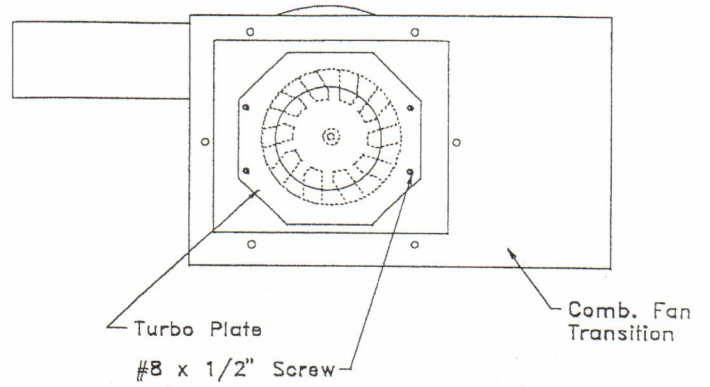


FIGURE 2

FIGURE 3
Turbo Plate Installation



09CIG2/2

Swing open the left side panel.

FIGURE 1: PARTS IDENTIFICATION

